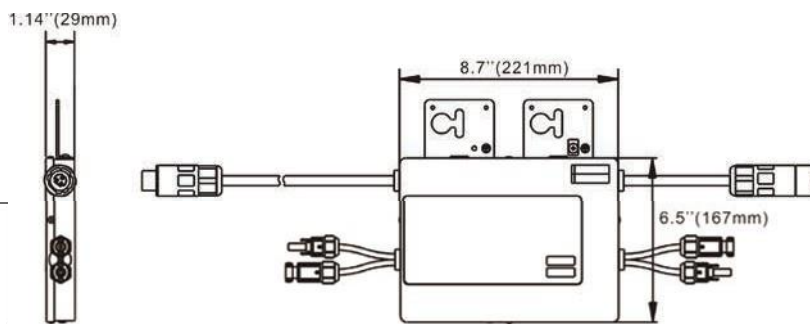




YC500A Microinverter

- One unit for two modules
- Individual MPPT per module
- Maximum continuous power output of 500W

DIMENSIONS



Our flagship product, the APsystems YC500A is a grid-tied microinverter with smart grid functions and monitoring systems to ensure maximum efficiency. Highly reliable and cost effective, the YC500A delivers 225W to 250W AC per module with dual MPPT. Half of the investors and half of the installation

On ssiiggnnii fi ccaa
usmaellievers dretedinstiadeareayleasppaialehs ..



Datasheet Microinverter YC500A APsystems

Model YC500A-MX YC500A-NA-MX

Input Data (DC)

Voltage Range MPPT	22V-45V	
Operating Voltage Range Maximum	16V-52V	
Input Voltage	55V	
Start Voltage	22V	
Maximum Input Current	10.5A × 2	12A × 2

Output Data (AC)

Maximum Continuous Output Power Nominal	450W	500W
Output Voltage	127V	220V
Nominal Output Current	3.54A	2.27A
Default / Extended Output Voltage Range Nominal	95V-155V * / 82V-155V	181V-264V * / 181V-298V
Output Frequency	60Hz	
Default / Extended Output Frequency Range Power Factor	57Hz-62Hz * / 55.1Hz-64.9Hz	
	> 0.99	
Total Harmonic Distortion	<3%	
Maximum Units per Derived Circuit	4 / 20A switch ** 5 / 25A switch **	7 / 20A switch ** 8 / 25A switch **

Efficiency

Peak Efficiency	95.5%
Night Energy Consumption	120mW

Mechanical Data

Ambient Temperature Range	- 40 ° C to + 65 ° C (- 40 ° F to + 149 ° F)
Storage Temperature Range Dimensions (W x L x D)	- 40 ° C to + 85 ° C (- 40 ° F to + 185 ° F)
Weight	221mm x 167mm x 29mm (8.7 " x 6.6 " x 1.1 ")
AC cord	2.5kg (5.5lbs)
Enclosure Environmental Classification	12AWG
Cooling	NEMA 6
	Natural Convection - No Fans

Features & Compliance

Communication	Power Line Communication (PLC)
Monitoring	Via EMA Software
Transformer Design	High Frequency Transformers, Galvanic Separation
Network Connection Compliance	NOM
Safety Compliance	NOM

* Programmable with the ECU in the field to meet customer needs.

** Depending on local regulations.